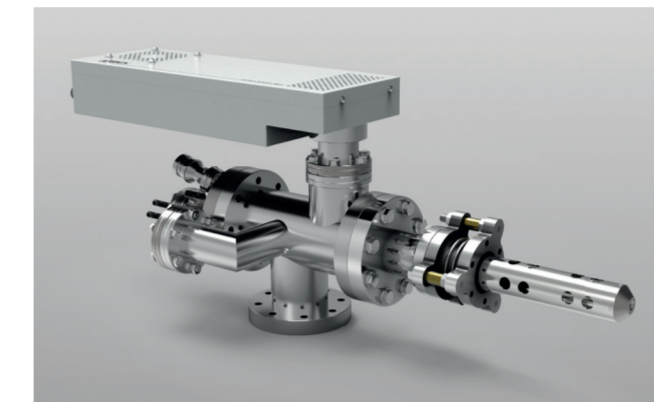


THE HIDEN SIMS WORKSTATION



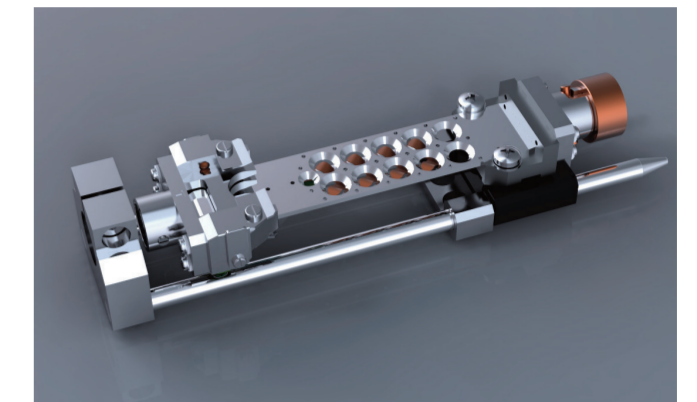
The Hiden SIMS Workstation is a stand-alone, general purpose, UHV SIMS/SNMS analysis system based around the MAXIM analyser. The instrument is both powerful and easy to use with a self-tuning secondary ion column and software controlled ion guns. A normally incident video camera enables accurate sample navigation and a low energy electron flood provides trouble free analysis of insulators. The instrument is available with a choice of ion guns and sample holders enabling customers to specify the tool most suited to their application.

The use of standard UHV components throughout ensures that the system can be easily upgraded and reconfigured, ideal for research applications as well as providing a future-proof investment. A soft tent bakeout system with integrated heater ensures UHV performance and, where required, the stand-alone pumping trolley may be mounted "through the wall" for clean room installation.



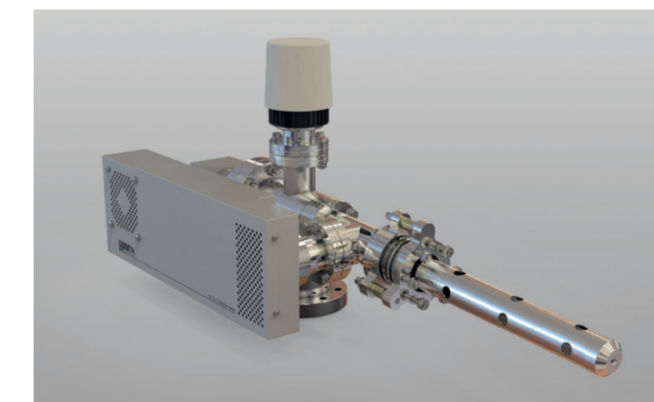
IG5C - Caesium Ion Gun

Caesium primary ions are essential for sensitive detection of electronegative elements. The IG5C provides ions up to 5keV from an air stable, low power, ion source. A user-serviceable aperture enables the gun to be configured for small spot and high current modes.



Sample Holder

Designed to hold the sample surface at a fixed (and optimum) distance irrespective of sample thickness. This ensures reproducible detection efficiency, a necessity for accurate quantification. Standard sample holders take 5 or 10 samples and custom holders are readily manufactured.



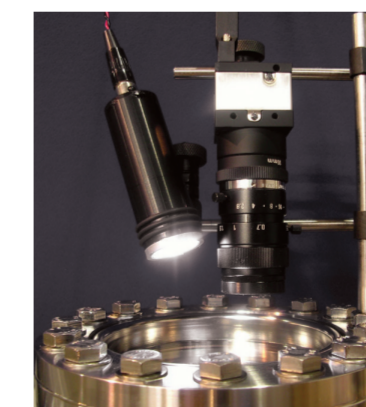
IG20 - Gas Ion Gun

Oxygen for sensitive electropositive element detection. Inert gas for cleaning, SNMS and SIMS.



MAXIM Spectrometer

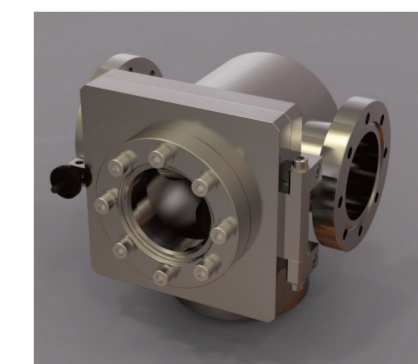
The MAXIM analyser features high transmission SIMS optics, an electron bombardment ion source for SNMS and includes an integral parallel plate energy filter accepting ions 30° to the probe axis.



Sample Viewing

Clear view of the sample is essential for accurate targeting of features for analysis.

Normal incidence lighting and camera for undistorted view.



Loadlock

A fast entry UHV loadlock with a large door and magnetically coupled sample transfer system with additional port for gauge or other fitment and DN63 port for direct mounting of a turbo-molecular pump.